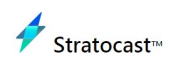


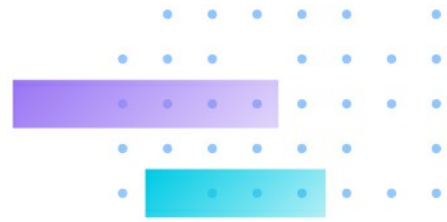
# FE9382-EHV-v2

Fisheye Network Camera

6MP • 360° Fisheye • WDR Pro • 360° 20M IR • Smart IR II • Smart Stream III • IP66 • IK10 • NEMA 4X

- H.265 Compression Technology
- 30 fps @ 2048x2048
- SNV (Supreme Night Visibility) for Low Light Conditions
- Smart Stream III to Optimize Bandwidth Efficiency
- WDR Pro for Improved Visibility in Extremely Bright and Dark Environments
- 360° 20M IR with Smart IR II
- Smart Motion Detection to Reduce False Alarms
- Smart VCA (Intrusion Detection, Crowd Detection, Loitering Detection)
- Trend Micro IoT Security
- Built-in Microphone
- Weather-proof IP66-rated and Vandal-proof IK10/NEMA 4X-rated Housing



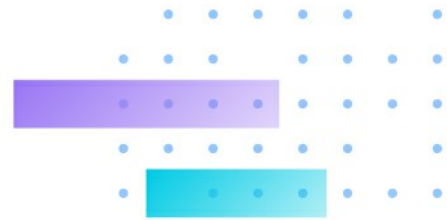


## Overview

The new 6-Megapixel FE9382-EHV-v2 is the latest update to an already stellar VIVOTEK 360° fisheye product line. The FE9382-EHV-v2 is a true day/night camera, with a removable IR-cut filter and 360° IR illumination up to 20 meters radius with Smart IR II technology. It supports up to 30fps at full 6MP resolution as well as WDR Pro 120dB to maintain excellent image quality in high contrast lighting environments. These features greatly enable the FE9382-EHV-v2 to provide clear images 24 hours a day.

To meet the demands of any harsh outdoor application, the FE9382-EHV-v2 is also armed with an IP66-rated housing for protection from rain and dust, as well as IK10-rated for robust protection against acts of vandalism. With added NEMA 4X protection, even more extreme offshore applications will not be an issue.

Lastly the FE9382-EHV-v2 comes fully equipped with VIVOTEK's Smart VCA (Video Content Analysis). With AI based deep-learning and Smart Motion Detection, Smart VCA will enable users to quickly and accurately detect event triggers such as line crossing and missing objects alerts. This suite of analytic functions is only available on our SUPREME line of products.



# Technical Specifications

## System Information

Model	FE9382-EHV-v2
CPU	Multimedia SoC (System-on-Chip)
Flash	8 GB
RAM	2 GB

## Camera Features

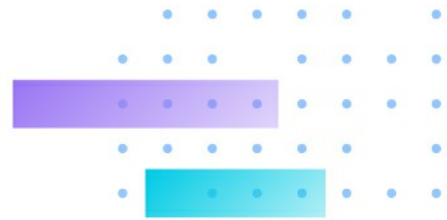
Image Sensor	1/1.8" Progressive CMOS in 3840x2160
Max. Resolution	2048x2048
Lens Type	Fixed-focal
Focal Length	f = 1.245 mm
Aperture	F1.6
Iris Type	Fixed iris
Field of View	180° (Horizontal) 180° (Vertical) 180° (Diagonal)
Shutter Time	1/5 sec. to 1/32,000 sec.
WDR Technology	WDR Pro
Day/Night	Yes
Removable IR-cut Filter	Yes
IR Illuminators	Built-in IR illuminators, effective up to 20 meters (50IRE) with Smart IR II, IR LED*4
Minimum Illumination	0.065 lux @ F1.6 (Color) <0.001 lux @ F1.6 (B/W) 0 lux with IR illumination on
Pan/Tilt/Zoom Functionalities	ePTZ: 12x digital zoom (12x on IE plug-in)
Storage	Seamless Recording to MicroSD/SDHC/SDXC card and recording to network-attached storage (NAS)

## Video

Video Compression	H.265, H.264, MJPEG
Maximum Frame Rate	30fps @ 2048x2048 (WDR On)
Maximum Streams	3 video streams (Up to 8 configurable profiles)
S/N Ratio	69.6 dB
Dynamic Range	120 dB
Video Streaming	Adjustable resolution, quality and constant bit rate control, Smart Stream III
Image Settings	General settings: video title and time stamp overlay, video orientation (flip, mirror), day/night settings; Illuminators: illuminators, anti-overexposure; Image settings: white balance, image adjustment (brightness, contrast, saturation, sharpness, gamma curve), defog, 3DNR, scene mode (auto, deblur); Exposure: BLC, HLC, exposure control (exposure level, iris adjustment, exposure time, gain control, iris mode), AE speed adjustment, WDR; Privacy mask; Scheduled profile settings
Display Mode	Client Dewarping Ceiling mounted: 1O Fisheye, 1P Panoramic, 2P Two Panoramics, 1R One Region, 4R Four Regions, 1O3R One Fisheye Three Regions, 1O8R One Fisheye Eight Regions Wall mounted: 1O Fisheye, 1P Panoramic, 1R One Region, 4R Four Regions, 1P2R One Panoramic Two Regions, 1P3R One Panoramic Three Regions, 1O3R, One Fisheye Three Regions  Local Dewarping Ceiling mounted: 1O Fisheye, 1P Panoramic, 2P Two Panoramics, 1R One Region, 4R Four Regions Wall mounted: 1O Fisheye, 1P Panoramic, 1R One Region, 4R Four Regions

## Audio

Audio Capability	Two-way Audio
Audio Compression	G.711, G.726
Audio Interface	Built-in microphone External microphone input (Optional) External line output (Optional)
Effective Range	5 meters



## Network

Users	Live viewing for up to 10 clients
Security	Access list, digest authentication, HTTPS, IEEE 802.1x, password protection, secure boot, signed firmware, Trend Micro IoT Security (brute force attack event, cyberattack event, quarantine event), user access log, user account management
Protocols	802.1X, ARP, Bonjour, CIFS/SMB, DDNS, DHCP, DNS, FTP, HTTP, HTTPS, ICMP, IGMPv3, IPv4, IPv6, NTP, PPPoE, QoS (CoS/DSCP), RTSP/RTP/RTCP, SMTP, SNMP, SSL, TCP/IP, TLS 1.2, UDP, UPnP
Interface	10 Base-T/100 Base-TX Ethernet (RJ-45) *It is highly recommended to use standard CAT5e & CAT6 cables which are compliant with the 3P/ETL standard.
ONVIF	Profile G, S, T supported, specification available at <a href="http://www.onvif.org">www.onvif.org</a>

## Solution Integration

Smart Motion Detection	Five-window video motion detection, people detection, time filter
Smart VCA	Intrusion detection, loitering detection, line crossing detection, unattended object detection, missing object detection, crowd detection, running detection
VADP Package	Deep Learning VCA (Smart Motion Detection, Smart VCA), Stratocast, Trend Micro IoT Security (3-year free trial)

## Alarm and Event

Event Trigger	Audio detection, camera tampering detection, cybersecurity events (brute force attack event, cyberattack event, quarantine event), digital input, manual trigger, motion detection, periodical trigger, recording notification, SD card life expectancy, shock detection, system boot
Event Action	Event notification via digital output, email, HTTP, FTP, NAS server, SD card File upload via email, HTTP, FTP, NAS server, SD card

## General

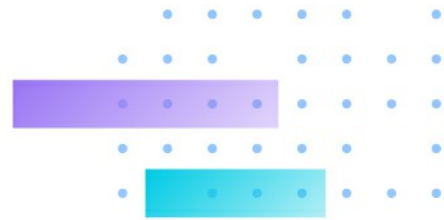
Connectors	RJ-45 cable connector for 10/100 Mbps Network/PoE connection *IO Cable Version (DC 12V power input, audio line input, audio line output, digital input*1, digital output*1)
LED Indicator	System power and status indicator
Power Input	IEEE 802.3af PoE Class 0
Power Consumption	Max. 12.5 W/5 W (IR on/off)
Dimensions	Ø 150 x 68.2 mm
Weight	701 g
Certifications	EMC: CE (EN 55032 Class A, EN 55024), FCC (FCC Part 15 Subpart B Class A), VCCI (VCCI-CISPR 32 Class A); Safety: UL (UL 62368-1), CB (IEC/EN 62368-1, IEC/EN 60950-22); Environment: IK10 (IEC 62262), IP66 (IEC 60529), NEMA (NEMA 250 Type 4X); IA: BIS (IS 13252)
Operating Temperature	Starting Temperature: -20°C ~ 55°C (-4°F ~ 131°F) Working Temperature: -40°C ~ 60°C (-40°F ~ 140°F) (IR off) -40°C ~ 55°C (-40°F ~ 131°F) (IR on)
Humidity	90% RH (non-condensing)
Warranty	36 months

## System Requirements

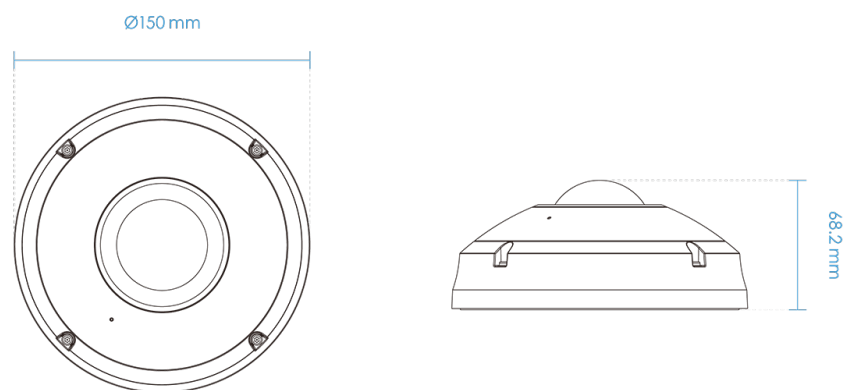
Operating System	Microsoft Windows 10/8/7 Mac 10.12 (Chrome only)
Web Browser	Chrome 58.0 or above Internet Explorer 10/11
Other Players	VLC: 1.1.11 or above

## Included Accessories

Packing Contents	Quick installation guide, alignment sticker, screw pack, desiccant bag
------------------	--



## Dimensions



## Compatible Accessories

### Mounting Kits



AM-525  
Mounting Adapter

## Ordering Information

Model	Description	Part Number
FE9382-EHV-v2	Without 2-Way Audio/DI/DO Cable	100229800G
FE9382-EHV-v2 (IO Cable)	With 2-Way Audio/DI/DO Cable Installed	100273600G