

# XC10-041-250

## EPoC RX Switch

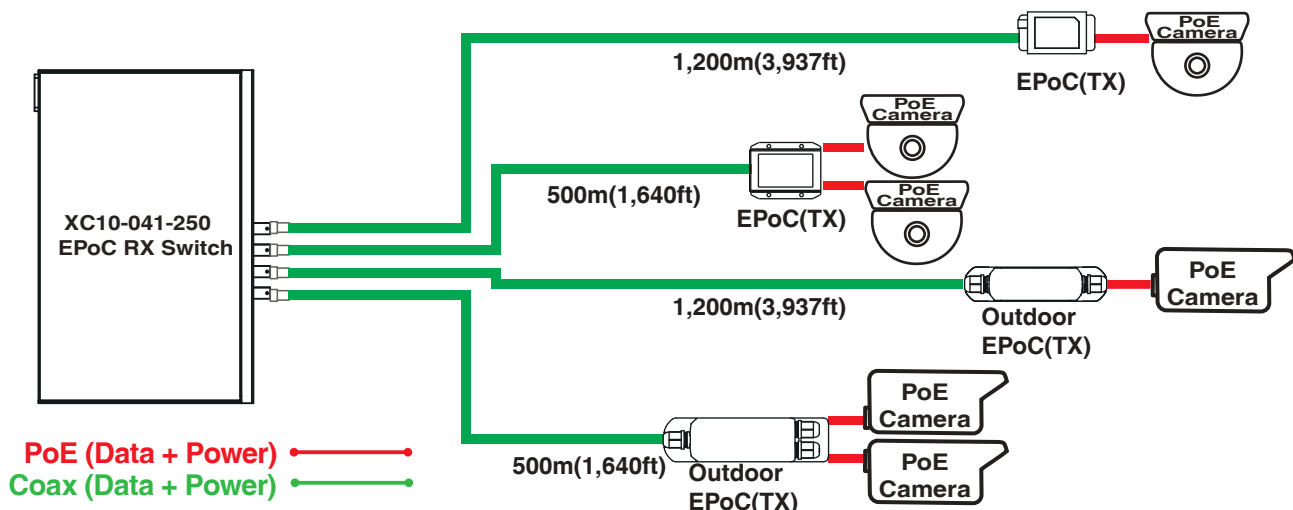


XC10-041-250 is an EPoC (Ethernet & Power over Coax) RX switch equipped with 4-ports EPoC, 1-port Gigabit LAN and the internal 250w power supply. This cutting-edge model is a long-reach PoE solution providing data & power over single coaxial cable up to 1,200m (3,937ft) for multi-brand of PoE IP camera. Besides long range PoE solution, XC10-041-250 is also often used to upgrade legacy of CCTV to IP surveillance without changing existing coaxial cable infrastructure.

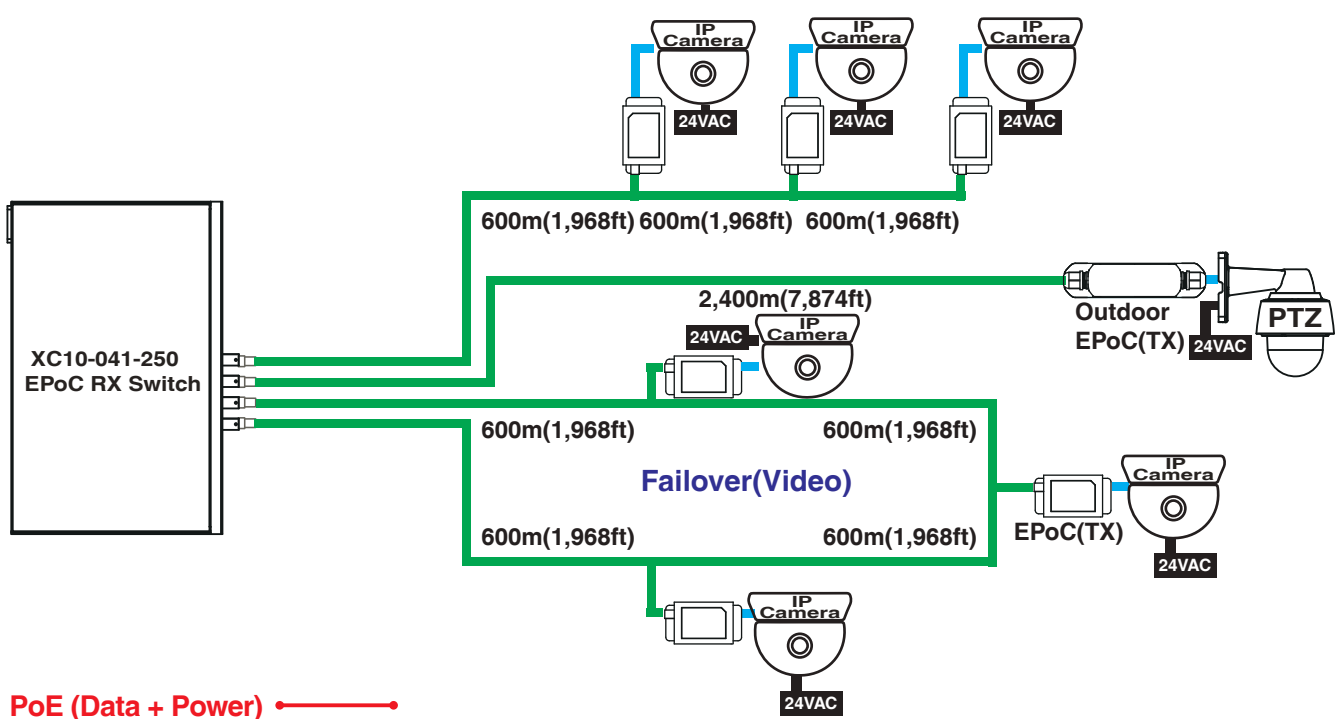
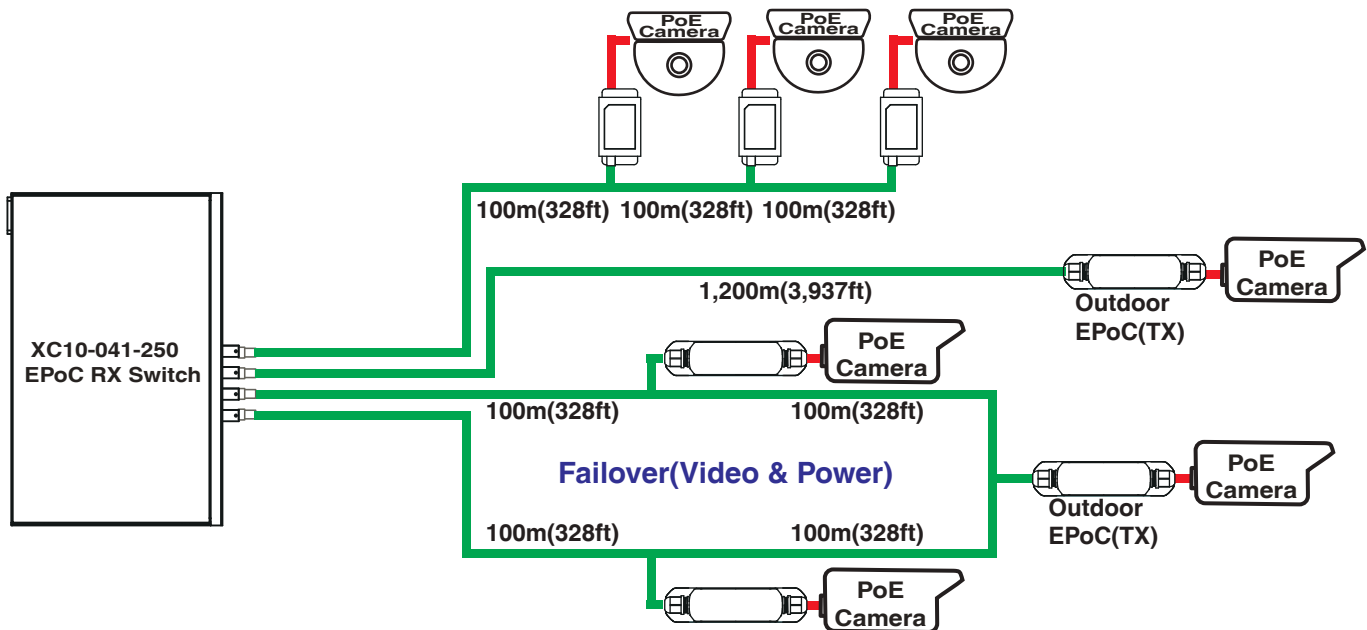
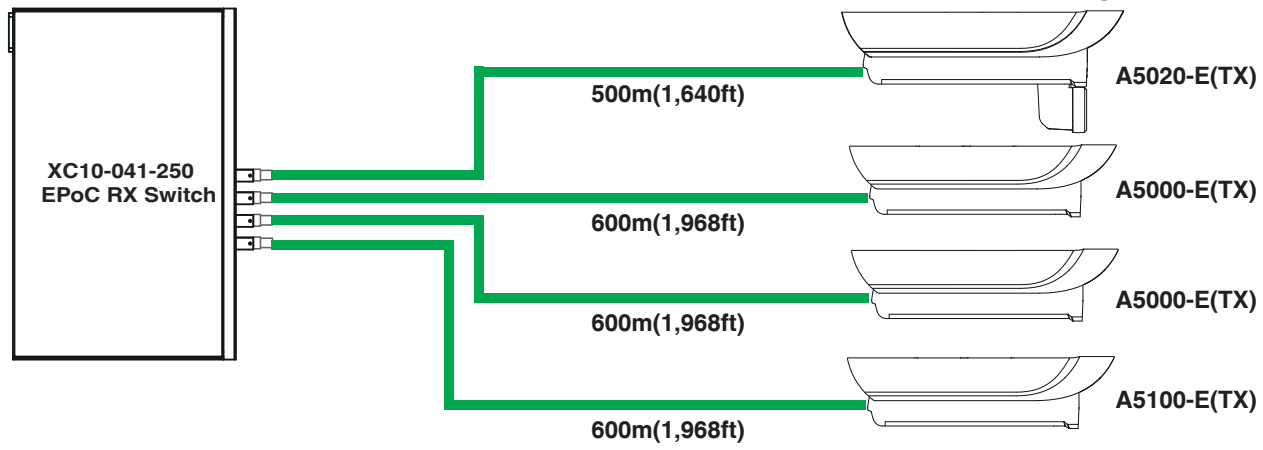
### Features

- Transmits IP data & PoE up to 1,200m (3,937ft)
- 240W power budget for 4 EPoC ports
- 6KV surge protection for EPoC port
- 19" rack mount bracket
- Optional back-up 56VDC power input
- Four EPoC ports & one GbE LAN port
- Plug-and-Play deployment PoE IP migration or PoE extension

### Applications



### EPoC Camera Housing (TX)



- PoE (Data + Power) —
- Coax (Data + Power) —
- LAN (Data) —
- Power —

# Specifications

## Interface/Distance

Coaxial BNC	75 ohm x 4
10/100/1000 Mbps Ethernet RJ45	1
Transmission mode	RX mode
Maximum TX quantity	7
MAX.(Power+Data) Distance	9.7W@1,200m(3,937 ft)
Cable Type	75 ohm RG59/RG6/RG11 Coax
Bandwidth	600 Mbps

## Power Specifications

Power supply	Internal 250W Input: 100-240VAC 280VAC 4hr 300VAC 1min.
Back-up Power Input Voltage	56VDC@4.47A
Unit Power Consumption	7 watts
EPoC Output Power	54VDC@60W
Surge Protection /each Coax Port	Built-in 6KV

## Physical Specifications

Dimensions (LxWxH)	276.6 x 178 x 44 mm (10.89x7x1.73")
Weight	1 kg (2.20 lb)
Connectors	BNCx4, RJ45x1, 100-240VAC power input, 56VDC input
Mounting Type	Wall mount, 19" rack mount

## Environmental Specifications

	-10°C ~ 50°C (14°F ~ 122°F)
Operating Temperature Storage Temperature	-20°C ~ 85°C (-28°F ~ 185°F)
Relative Humidity	5% ~ 95% non-condensing

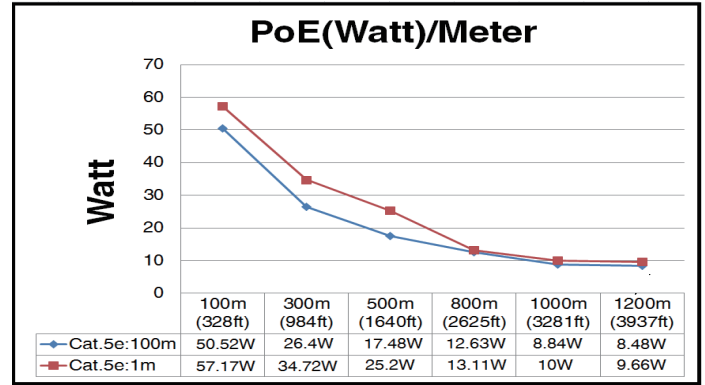
## Certifications

EMC	CE, FCC, VCCI, C-Tick
Safety	EN60950-1
Surge	EN61000-4-5

## LEDs

LAN	Ethernet status
PWR	RX Switch power status
LINK	Rx Switch and EPoC TX device connect status
POC	Power over Coaxial cable status

# Power / Distance Chart



## Related Products

### EPoC (TX)



**XE10-110-TX**  
• 1-to-1 EPoC adapter(TX)



**XE12-120-TX**  
• 1-to-2 EPoC adapter(TX)



**XE22-110-TX**  
• 1-to-1, Outdoor EPoC adapter(TX)with IP67 / IK10 / 6KV Surge protection



**XE22-120-TX**  
• 1-to-2, Outdoor EPoC adapter(TX) with IP67 / IK10 / 6KV Surge protection

### EPoC Camera Housing (TX)



**A5000-E**  
• EPoC Camera Housing



**A5100-E**  
• EPoC Camera Housing  
• Germanium window



**A5020-E**  
• EPoC Camera Housing with IR illuminator (MAX: 50m)