

### Overview:

Altronix NetWayXT (*IEEE 802.3af (15W) compliant*) and NetWayXTX (*IEEE 802.3af (15W) and IEEE 802.3at (30W) compliant*) repeater modules interface with NetWay midspans to extend data (video) for an additional 100m. A maximum range of 600m for NetWayXT and even longer for NetWayXTX is possible using multiple repeaters, based on camera/device port power requirement.

### Specifications:

- UL/CUL Listed for Information Technology Equipment (UL 60950-1).



- CE approved.
- Repeater module extends range 100m each.
- Port status LEDs.

- Compact insulated housing.
- Plug-and-play installation.
- Auto detection and protection of legacy non-PoE cameras.
- No external power required.
- Compatible with NetWay1/NetWay8/NetWay8M/NetWay16 and NetWay16M.

### Installation Instructions:

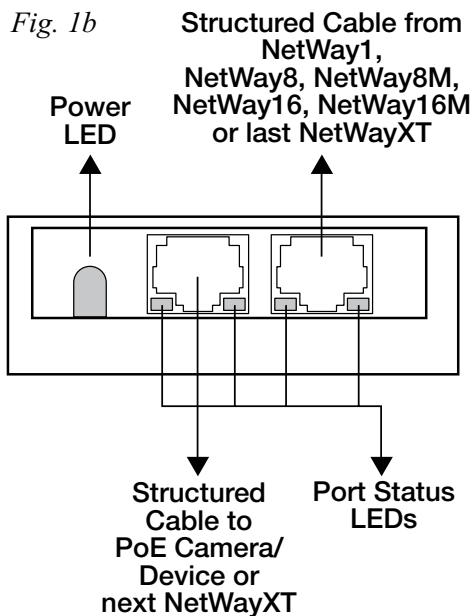
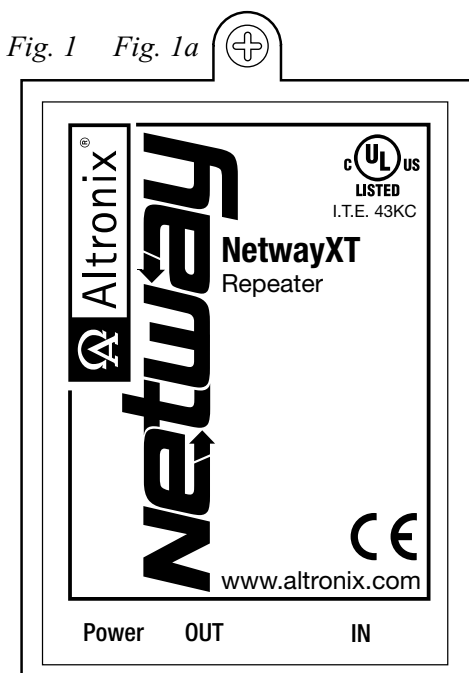
NetWayXT/NetWayXTX is not intended to be connected to outside plant leads.

1. Mount NetWayXT/NetWayXTX in desired location utilizing the mounting hole (*Fig. 1a, pg. 1, Fig. 2a, pg. 2*). Use a proper fastener and/or wall anchor when securing NetWayXT to the wall.
2. Connect structured cable from port marked [OUT] on NetWay1/NetWay8/NetWay8M/NetWay16 or NetWay16M to port marked [IN] on the NetWayXT/NetWayXTX (*Fig. 1b, pg. 1, Fig. 2b, pg. 2*).
3. Connect structured cable from port marked [OUT] on NetWayXT/NetWayXTX to the PoE camera/device or next NetWayXT/NetWayXTX repeater (*Fig. 1b, pg. 1, Fig. 2b, pg. 2, Figs. 2-4, pg. 2*).
4. Port status LEDs will illuminate on NetWayXT indicating the port is operational (*Fig. 1b, pg. 1, refer to Port LED definitions on pg. 1*).
5. Power LED will illuminate indicating 12VDC output (*Fig. 1b, pg. 1*).

### Port LED definitions for NetWayXT repeater:

Status	Green LED	Yellow LED
OFF	Indicates it is connected as 10Base-T or no link.	Indicates no link.
ON	Indicates it is connected as 100Base-TX.	Indicates a link.
Blinking	—	Indicates activity.

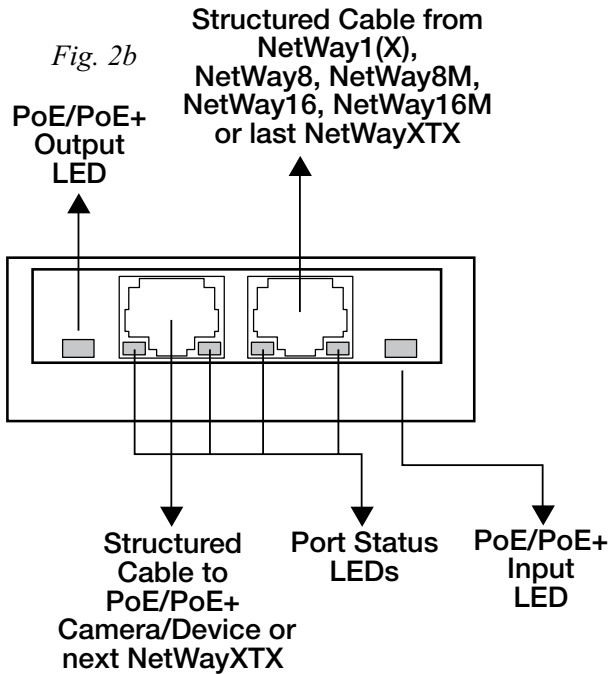
### NetWayXT



**Port LED definitions for NetWayXTX repeater:**

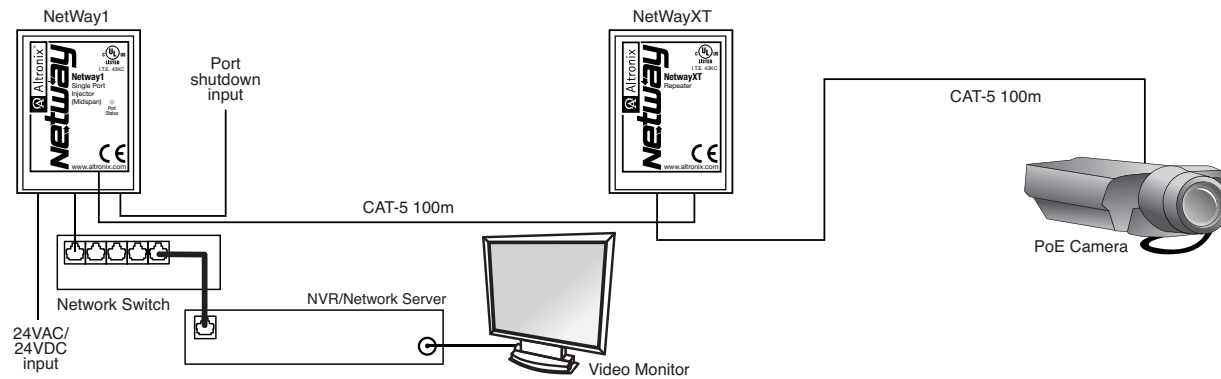
Status	PoE/PoE+ Output LED	Yellow LED	PoE/PoE+ Input LED
OFF	No PoE/PoE+ Output	Indicates no link.	No PoE/PoE+ Input
ON	Normal PoE/PoE+ Output	Indicates a link.	PoE/PoE+ Input
Blinking	—	Indicates activity.	—

**NetWayXTX**

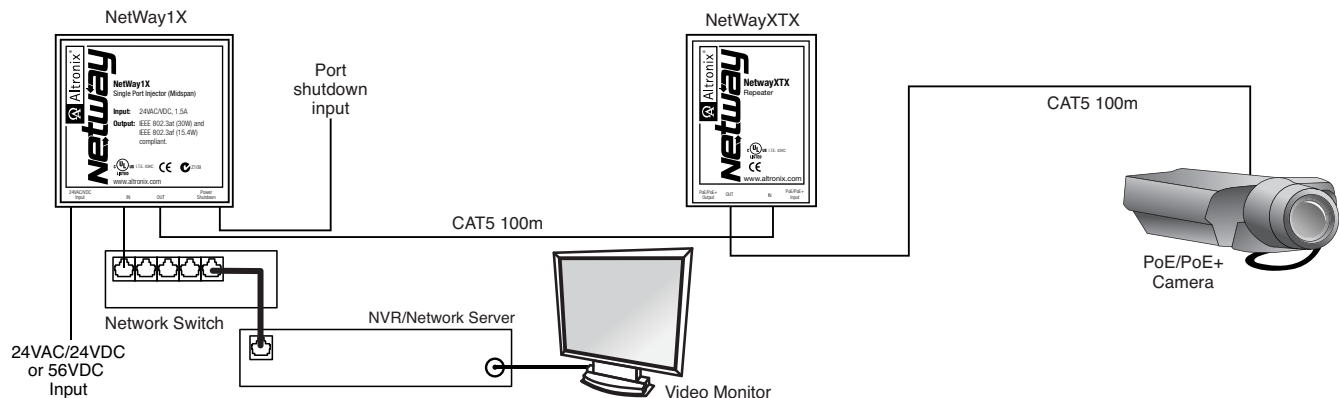


**Typical Applications:**

*Fig. 2 - NetWayXT connected to NetWay1 Single Port Midspan Injector.*



*Fig. 3 - NetWayXTX connected to NetWay1X Single Port Midspan Injector.*



### Typical Applications (cont'd):

Fig. 4 - NetWayXT/NetWayXTX connected to NetWay8, NetWay8M, NetWay16 or NetWay16M Midspan.

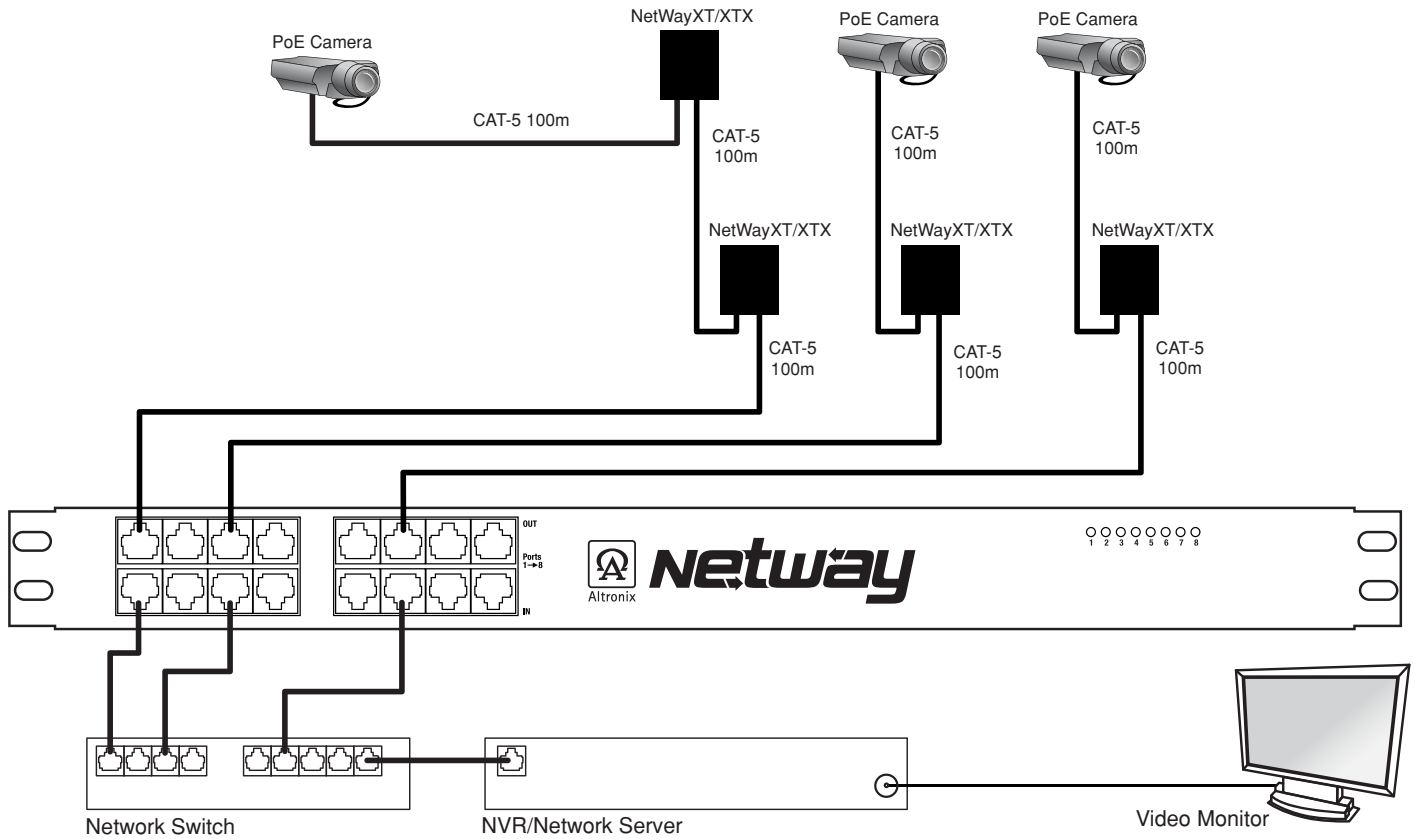
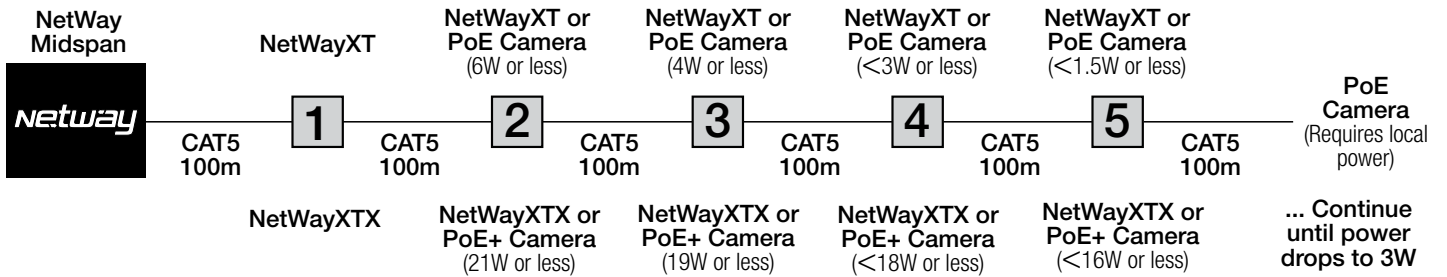


Fig. 5 - Connecting several NetWayXTs/NetWayXTXs on a single port.



## Notes

Altronix is not responsible for any typographical errors.

140 58th Street, Brooklyn, New York 11220 USA, 718-567-8181, fax: 718-567-9056  
website: [www.altronix.com](http://www.altronix.com), e-mail: [info@altronix.com](mailto:info@altronix.com), Lifetime Warranty, Made in U.S.A.  
IINetWayXT/NetWayXTX

F16N

- 4 -



NetWayXT/ NetWayXTX