

NetWay1 - Single Port PoE Injector for Standard NetWork Infrastructure**NetWay1X** - Single Port PoE/PoE+ Injector for Standard NetWork Infrastructure**Overview:**

Altronix NetWay1/NetWay1X are single port PoE/PoE+ injectors which provide power and passes data (e.g. video) for PoE/PoE+ compliant devices. Devices may be located up to 100m from NetWay1/NetWay1X. To extend data distance for an additional 100m use NetWayXT/NetWayXTX repeater modules.

General Specifications:**Agency Listings:**• **NetWay1:**

- UL/CUL Listed for Information Technology Equipment (UL 60950-1). UL Listed for Access Control Systems (UL294), Power over Ethernet (PoE) for Access Control (UL294B).
- CUL Listed - CSA Standard C22.2 No.205-M1983, Signal Equipment.
- CE approved.

• **NetWay1X:**

- UL/CUL Listed for Information Technology Equipment (UL 60950-1).
- CUL Listed - CSA Standard C22.2 No.205-M1983, Signal Equipment.
- CE approved.

Input:

- **NetWay1:** 24VAC @ 1.2 amp or 24VDC @ 1.2 amp.
- **NetWay1X:** 24VAC @ 1.5 amp or 24VDC @ 1.5 amp.

PoE/PoE+:

- **NetWay1:** IEEE 802.3af (15W) compliant.
- **NetWay1X:** IEEE 802.3at (30W) and IEEE 802.3af (15W) compliant.

Features:

- Port status LED.
- PoE manual shutdown (For UL 60950-1 applications only) (*see Technical Specifications table pg. 4*).
- Auto detection and protection of legacy non-PoE cameras/devices.
- Data rate: 10/100 BASE-T compliant.
- Compact insulated housing.

Dimensions (W x L x H approx.):**NetWay1:**

2.5" x 3.8" x 1" (63.5mm x 96.52mm x 25.4mm).

NetWay1X:

3.5" x 3.5" x 1" (88.89mm x 88.89mm x 25.4mm).

Installation Instructions:

Wiring methods shall be in accordance with the National Electrical Code/NFPA 70/ANSI, and with all local codes and authorities having jurisdiction. Wiring should be UL Listed and/or Recognized wire suitable for the application.

Unit is intended to be used with a UL Listed Class 2 or LPS (limited power supply). NetWay1/NetWay1X is not intended to be connected to outside plant leads and should be installed indoors within the protected premises.

NetWay1/NetWay1X is intended for indoor use only.

1. Mount NetWay1/NetWay1X in desired location utilizing the mounting hole (*Figs. 1a and 2a, pg. 2*). Use a proper fastener and/or wall anchor when securing NetWay1/NetWay1X with screw through its mounting hole to the wall.
2. Connect 24VAC/24VDC to terminals marked [24VAC/VDC Input], (*Figs. 1b and 2b, pg. 2*). Use 22AWG-16AWG wire for this connection. Input power should be a UL Listed Access Control power-limited power supply (for UL294 applications) or Class 2 rated transformer/power supply (for UL60950-1 applications).
3. Connect structured cable from port marked [IN] on NetWay1/NetWay1X to the corresponding input of an UL Listed ethernet switch or video server (*Figs. 1b, 2b, pg. 2*).
4. Connect structured cable from port marked [OUT] on the NetWay1/NetWay1X to PoE device (*Figs. 1b, 2b, pg. 2*). All interconnected devices must be UL Listed.
5. Port status LED will illuminate indicating normal operation (*Figs. 1c, 2b, pg. 2*).
6. To initiate PoE shutdown connect 12VAC to 24VAC or 5VDC to 24VDC to the input terminals marked [PoE Shutdown] on the NetWay1/NetWay1X (*Figs. 1b, 2b, pg. 2*). The PoE output voltage may be shutdown by manually applying voltage in the rated range (*PoE Shutdown Voltage Range in Specifications*). Upon applying voltage the output will drop to zero volts.

Removal of voltage from the shutdown terminals or applying zero volts to the shutdown terminals will allow the PoE output to operate normally to supply power to PoE compliant devices.

Note: Return to normal operation from shutdown can take about 4 seconds. Although there is no output voltage to power PoE devices during shutdown, data signals may still be present on the data pair lines of the CAT5 cable.

Fig. 1

Fig. 1a



NetWay1

Fig. 1b

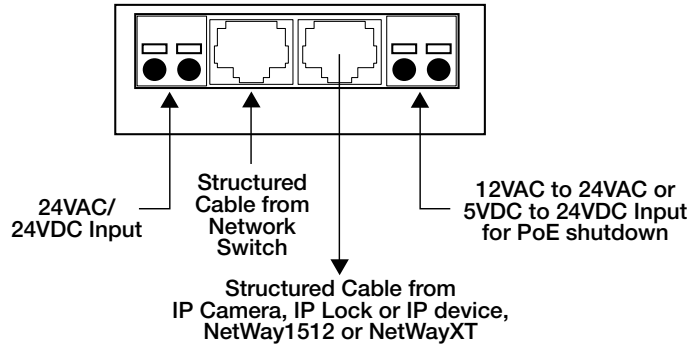
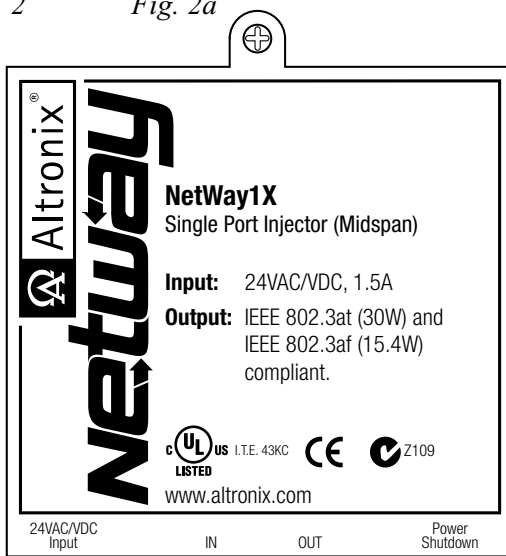


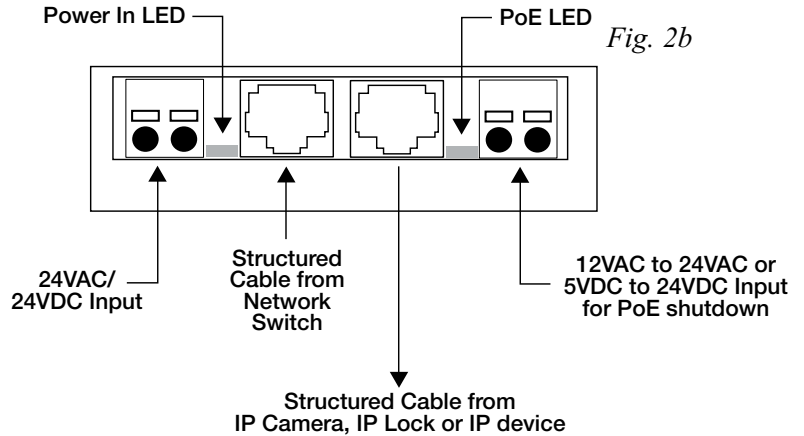
Fig. 2

Fig. 2a



NetWay1X

Fig. 2b



NetWay1 Port Status and LED Flash Codes

Port Status	Flash Code	Flash Pattern
Non-Powered Device $0\Omega < R_{PORT} < 200\Omega$	OFF	LED OFF
Port Open $R_{PORT} > 1M\Omega$	OFF	LED OFF
Port On $25k\Omega$	ON	LED ON
Low Signature Resistance $300\Omega < R_{PORT} < 15k\Omega$	1 Flash	☀ ● ● ● ● ☀ ● ● ● ●
High Signature Resistance $33K\Omega < R_{PORT} < 500k\Omega$	2 Flashes	☀ ☀ ● ● ☀ ☀ ● ● ☀ ☀ ● ●
Port Overload Fault	5 Flashes	● ● ● ● ☀ ☀ ☀ ☀ ☀ ● ● ● ●

NetWay1X Port Status and LED Flash Codes

Port Status	Flash Code	Flash Pattern
Port is not powered or disconnected	OFF	LED OFF
Port is connected to a valid PD and powered	ON	LED ON
Overcurrent fault during port power-on	2 Flashes	LED ON ● ● ☀ ☀ (once) ● ● LED ON
Invalid low or high discovery signature resistance	5 Flashes	● ● ● ● ☀ ☀ ☀ ☀ ☀ ● ● ● ●

Typical Applications (NetWay1 and NetWay1X):

Fig. 3

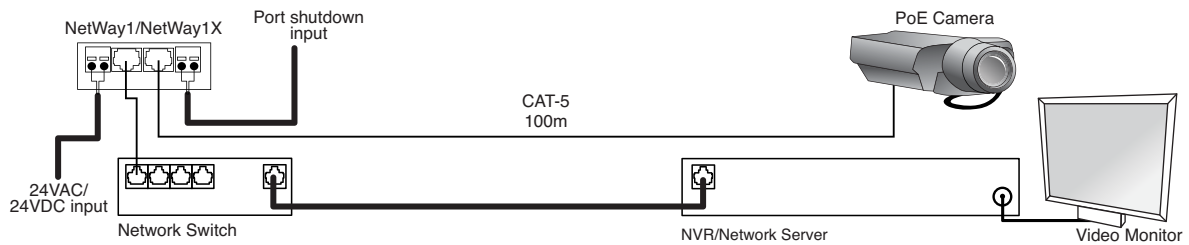


Fig. 4

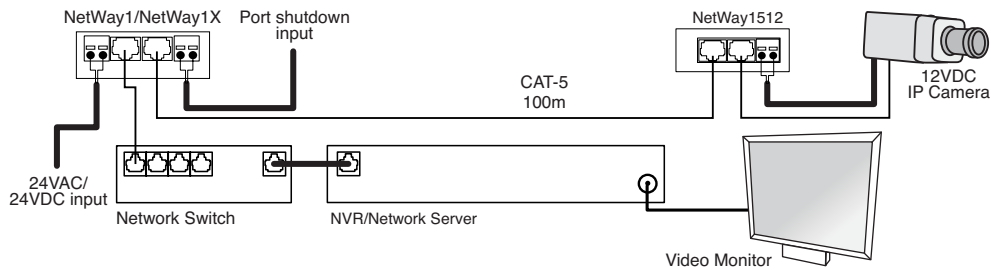


Fig. 5

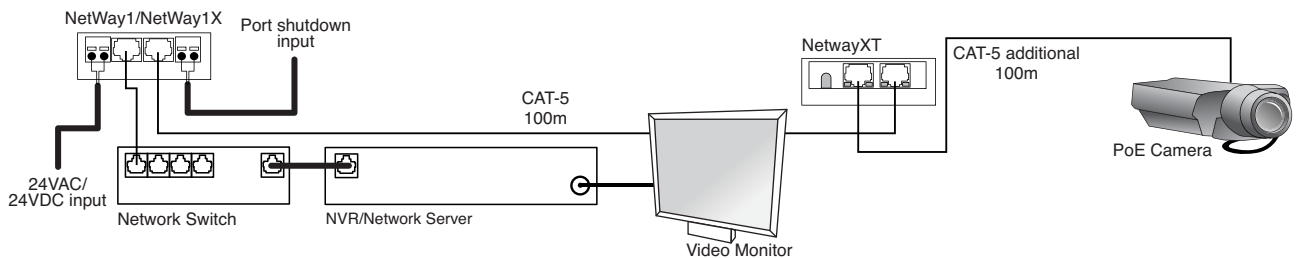
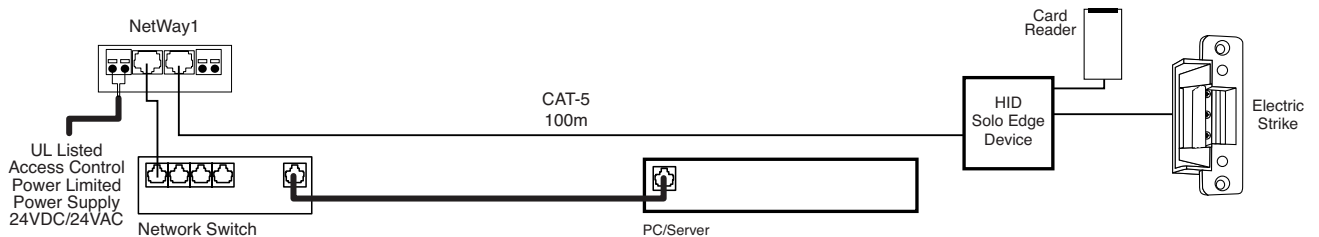


Fig. 6 - Typical UL294 application (NetWay1 only):



Maintenance:

Unit should be tested at least once a year for the proper operation as follows:


While the NetWay1/NetWay1X is powered and the output is connected to a suitable UL Listed PoE device, it should be tested for PoE shutdown operation (For UL 60950-1 applications only).

For UL294 applications, the NetWay1 is to be tested as part of a complete Access Control System and in accordance with listed Access Control Devices.

Troubleshooting:

Refer to *NetWay1/NetWay1X Port Status and LED Flash Codes*, pg. 2.

Technical Specifications:

Parameter	Description
No. of Ports	One (1)
Input power requirements	NetWay1: 24VAC @ 1.2 amp or 24VDC @ 1.2 amp. NetWay1X: 24VAC @ 1.5 amp or 24VDC @ 1.5 amp.
Indicators	Port Status LED, Power In LED (NetWay1X only).
PoE Shutdown Voltage and Current Range	5VDC to 24VDC or 12VAC to 24VAC Maximum current: 2mA for 5VDC Maximum current for higher voltages: 10mA
Environmental Conditions	Operating Ambient Temperature: NetWay1: UL60950-1: 32°F to 104°F (0°C to 40°C). UL294: 32°F to 120.2°F (0°C to 49°C). NetWay1X: 48VDC, 30W: 32°F to 113°F (0°C to 45°C). 24VAC, 30W: 32°F to 98.6°F (0°C to 37°C). Relative humidity: 85%, +/- 5% Storage Temperature: -4° to 158°F (-20° to 70°C) Storage Operating Altitude: -1000 to 10,000 ft. (-304.8 to 3048m).
Regulatory Compliance	 UL/CUL Listed for Information Technology Equipment (UL 60950-1). UL Listed for Access Control Systems (UL294 - NetWay1 only). Power over Ethernet (PoE) for Access Control (UL294B - NetWay1 only). CUL Listed - CSA Standard C22.2 No.205-M1983, Signal Equipment. CE approved
Weights (approx.)	NetWay1: Product: 0.2 lbs. (0.09 kg), Shipping: 0.25 lbs. (0.11 kg) NetWay1X: Product: 0.25 lbs. (0.11 kg), Shipping: 0.3 lbs. (0.14 kg)

Altronix is not responsible for any typographical errors.

140 58th Street, Brooklyn, New York 11220 USA, 718-567-8181, fax: 718-567-9056
website: www.altronix.com, e-mail: info@altronix.com, Lifetime Warranty, Made in U.S.A.
II NetWay1/NetWay1X

H07N



NetWay1/NetWay1X