



# MS-Series™ Proximity Readers

DATA SHEET

For Use With MS-Series™ Proximity Credentials

- Sleek Attractive Packages
- Ultra Thin Profiles
- Better Read Range Performance Than Competing Products of Similar Size
- Mullion Reader Available  
- Fits smaller door frames



MS-3000  
Reader



MS-5000  
Reader



MS-7000 Reader

Keri's **MS Series Proximity Readers** are designed to blend aesthetics, read range performance, and small package size with an extremely thin profile into a product that is priced significantly less than competing proximity readers. The readers are for use exclusively with Keri's access control system based on the PXL-500 Tiger and the NXT-2D and NXT-4D Controllers.

The smallest readers in the series are the **MS-3000™ Reader** and the **MS-5000™ Reader**.

The MS-3000 reader measures just 3.4" long x 1.4" wide x 0.38" thick (86mm x 36mm x 10mm) thick, and is designed to mount on a metal window or door frame (mullion) or directly on a wall. Read range is up to 4" (10cm). The MS-5000 reader measures 4.3" long x 3.0" wide x 0.38" thick (109mm x 76mm x 10mm), and can be mounted on a single gang electrical box or flat on a wall. Read range is up to 6" (15cm) when mounted at least one inch off metal. If the reader is mounted using a metal electrical junction box with the thickness of the wall material separating the reader from the box, read range will be reduced.

The **MS-7000™ Reader** measures just 8.5" long x 6" wide x 0.83" thick (21.6cm x 15.2cm x 2.1cm), with a read range of up to 14" (35cm). This reader is designed for applications where greater read range adds to the convenience of the system, such as parking access or physically challenged access.

The readers are attractively designed with a thin profile and modern appearance. The readers are compatible with Keri's KC-10X and MT-10X proximity card styles as well as the small, extremely robust PKT-10X Key Tag. Additionally, they can read any Indala ASP Card or Tag if they are to be used in conjunction with a PXL-500 Controller.



[www.kerisys.com](http://www.kerisys.com)

302 Enzo Drive • San Jose, California 95138 • email: [sales@kerisys.com](mailto:sales@kerisys.com)

Phone: 408-435-8400 • Toll Free: 800-260-5265 • Fax: 408-577-1792

# MS-Series™ Proximity Readers

DATA SHEET - Page 2 of 2

## Specifications:

### Size:

3.4" H x 1.4" W x 0.38" T (86mm x 36mm x 10mm)	(MS-3000)
4.3" H x 3.0" W x 0.38" T (109mm x 76mm x 10mm)	(MS-5000)
8.5" H x 6" W x 0.83" T (21.6cm x 15.2cm x 2.1cm)	(MS-7000)

### Weight:

2.1 oz. (59g)	(MS-3000)
3.2 oz. (90g)	(MS-5000)
1.3 lbs. (582g)	(MS-7000)

### Read Range\*:

Up to 4" (10cm)	(MS-3000)
Up to 6" (15cm)	(MS-5000)
Up to 14" (35cm)	(MS-7000)

### Input Voltage:

+12 VDC nom. (5-14 VDC)	(MS-3000)
+12 VDC nom. (5-14 VDC)	(MS-3000)
+11 VDC to +14 VDC	(MS-7000)

### Current Draw:

50 mA typical	(MS-3000)
100 mA typical	(MS-5000)
200 mA typical	(MS-7000)

### Operating Temperature:

-40° C to +65° C

### LED Indicator:

Tri-Color Standard (Red, Green, Amber)

### Audio Tone:

Standard

### Frequency:

125 KHz excitation, 62.5 KHz data return

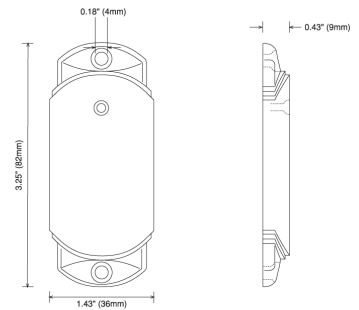
### Warranty:

Lifetime warranty against defects in materials and workmanship.

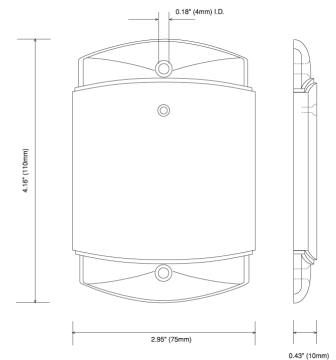
\* Read range is stated in a clean RF and electrical environment with KC-10X card presented parallel to reader surface.

Note: Specifications subject to change without notice. Trademarks are the property of their respective owners.

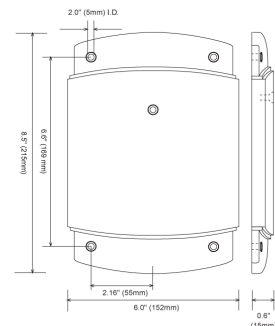
MS-3000 Reader



MS-5000 Reader



MS-7000 Reader



## ORDERING INFORMATION:

### Model Number Description

MS-3000X	Mullion Mount Proximity Reader for PXL-500P Controllers
MS-5000BX	Wall Mount Proximity Reader for PXL-500P Controllers
MS-7000X	Medium Range Proximity Reader for PXL-500P Controllers

## RELATED PRODUCT:

### Model Number Description

MS-4000X	Wall Mount Vandal Resistant Reader for PXL-500P Controllers
----------	---



Presented By:

www.kerisys.com

PN: 01197-001 Rev. D