

LCD-80F

80-Character Liquid Crystal Display Remote Fire Annunciators



Annunciators

General

The **LCD-80F** is a compact, cost-effective, 80-character, backlit LCD remote Fire Annunciator for use with the Fire•Lite **MS-9200UD Series** and **MS-9600 Series** Fire Alarm Control Panels (FACPs). The LCD-80F displays complete system point status information and includes control switches for remote control of critical system functions.

Up to 32 LCD-80Fs may be connected onto the EIA-485 terminal port of each FACP. The LCD-80F requires no programming, which saves time during system commissioning.

Features

- 80-character Liquid Crystal Display.
- Mimics all display information from the host panel.
- Control switches for System Acknowledge, Signal Silence, Drill and Reset with enable key.
- System status LEDs for Power, Alarm, Trouble, Supervisory and Alarm Silenced.
- No programming necessary — LCD-80F connects to the terminal port (TB7) .
- Displays device type identifiers, individual point alarm, trouble or supervisory, zone and custom alpha labels.
- Time-and-date display field.
- Aesthetically pleasing design.
- May be powered from the host FACP or by remote power supply (requires 24 VDC).
- Up to 32 LCD-80F annunciators per FACP.
- Plug-in terminal blocks for ease of installation and service.
- Can be remotely located up to 6,000 feet (1828.8 m) from the FACP.
- Local piezo sounder with alarm and trouble resound.
- Semi-flush mounts to 2.188" (5.556 cm) minimum deep, three-gang electrical box (Fire•Lite PN **10103**) or three-gangable electrical switchbox.
- Surface-mounts to Fire•Lite PN **SBB-3** surface backbox.

Operation

The LCD-80F annunciator provides the FACP with point annunciation with full display text on an 80-character LCD display. The LCD-80F also provides an array of LEDs to indicate system status, and includes control switches for remote control of critical system functions.

The LCD-80F provides the FACP with up to 32 remote serially connected annunciators. All field-wiring terminations on the LCD-80F use removable, compression-type terminal blocks for ease of wiring and circuit testing.

Communication between the FACP and the annunciators is accomplished over an EIA-485 serial interface, which greatly reduces wire and installation cost over traditional systems. Six wires total are required: four for the EIA-485 communications (two in and two return); and two for the 24 VDC regulated power. Dip switches control local functions such as: piezo disable, control switches/key-switch disable, transmit/receive mode.



LCD-80F

Installation

The LCD-80F can be semi-flush mounted to a 2.188" (5.556 cm) minimum deep, three-gang electrical box (Fire•Lite PN 10103) or three-gangable electrical switchboxes. Alternately, an SBB-3 surface backbox is available for surface-mount applications.

Product Line Information

LCD-80F: 80 character, backlit, LCD Fire Annunciator with control switches for remote control of system functions, and key-switch lock.

LCD-80FC: ULC-listed version; see DF-60576 for details.

10103: Three-gang electrical box, minimum 2.188" (5.556 cm) deep, for semi-flush mount applications.

SBB-3: Three-gang surface backbox for surface-mount applications.

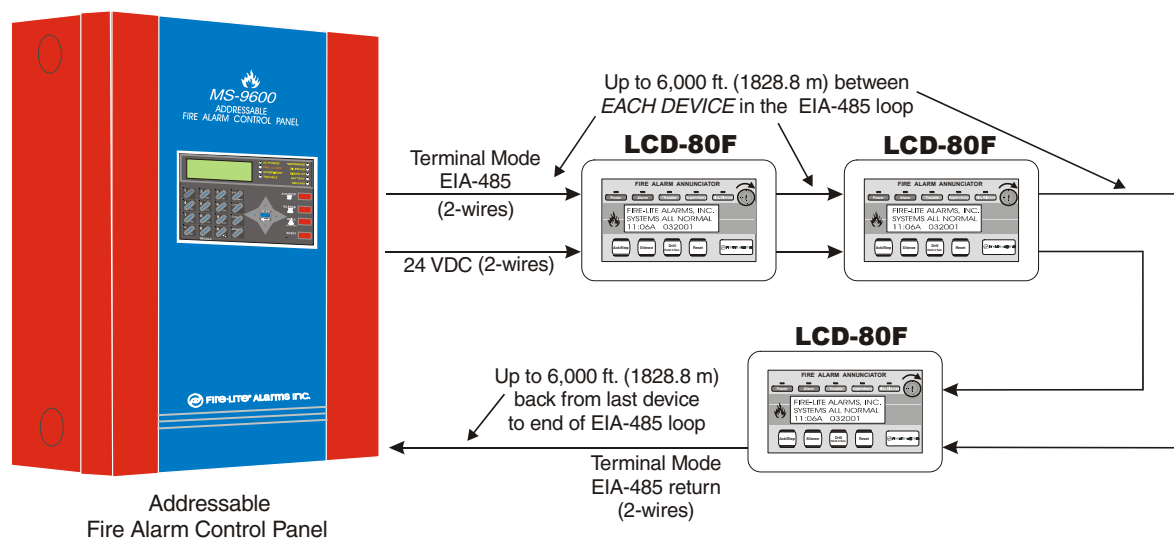
Agency Listings And Approvals

These listings and approvals apply to the modules specified in this document. In some cases, certain modules or applications may not be listed by certain approval agencies, or listing may be in process. Consult factory for latest listing status.

- **UL Listed:** S232
- **MEA Listed:** 72-01-E
- **CSFM:** 7120-1574:179
- **FM Approved**

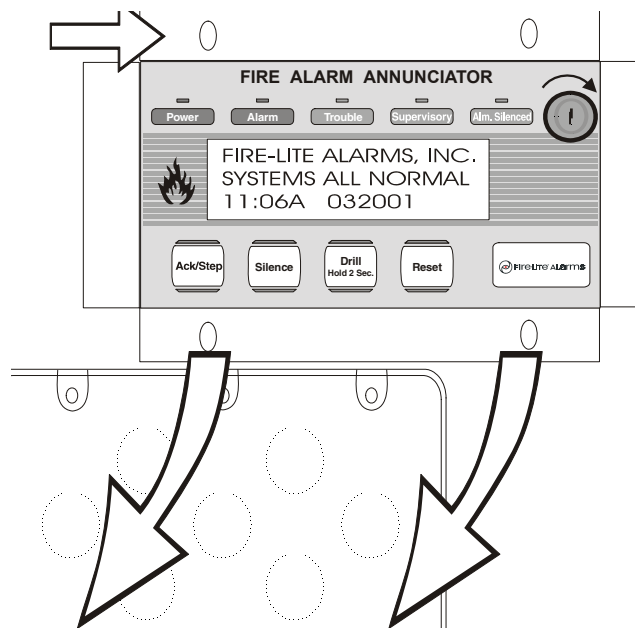
NOTE: For ULC-listed version, see DF-60576.

LCD-80F TERMINAL MODE WIRING EXAMPLE



NOTE:

- EIA-485: Maximum of 6,000 feet (1828.8 m) cable length from FACP to LCD-80F annunciators, 6,000 feet cable length between each LCD-80F and 6,000 feet from the last LCD-80F back to the FACP. Circuit is power-limited.
- Up to 32 LCD-80F annunciators may be used on the EIA-485 circuit. When multiple LCD-80Fs are used, the FACP will require additional power supplies (refer to panel documentation).
- Between each LCD-80F annunciator are four wires: a twisted-shielded pair for data communications and a pair for 24 VDC power. The return circuit only requires two wires (twisted) for data communication supervision, wired from the last LCD-80F annunciator on the loop.



5.813" (14.764 cm) wide x 4.0" (10.16 cm) high x minimum 2.188" (5.556 cm) deep, three-gang electrical box (Fire•Lite PN 10103, shown above).

Mounting To Backbox(es)

The LCD-80F annunciators can be semi-flush mounted in a three-gang electrical box with a minimum depth of 2.188" (5.556 cm) (Fire•Lite PN 10103).

The LCD-80F annunciators can be mounted in three-gangable electrical switchboxes connected together.

NOTE: Alternately, LCD-80F annunciators can be mounted to the SBB-3 surface backbox for surface-mount applications.

NOTE: This annunciator may not fit easily into a standard 3-gang electrical box if locking clamps are used to secure wiring entering the rear or side knockouts. Only use the TOP or BOTTOM knockouts to bring wiring into a standard 3-gang electrical box.

Fire•Lite® is a registered trademark of Honeywell International Inc. ©2010 by Honeywell International Inc. All rights reserved. Unauthorized use of this document is strictly prohibited.



This document is not intended to be used for installation purposes. We try to keep our product information up-to-date and accurate. We cannot cover all specific applications or anticipate all requirements. All specifications are subject to change without notice.



Made in the U.S.A.

For more information, contact Fire•Lite Alarms. Phone: (800) 627-3473, FAX: (877) 699-4105. www.firelite.com