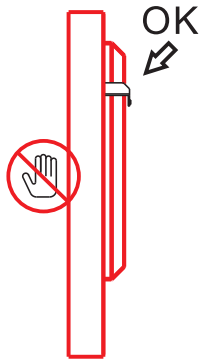
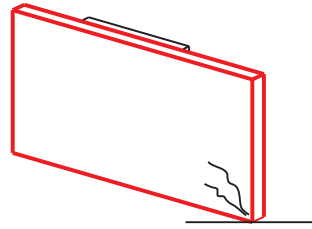


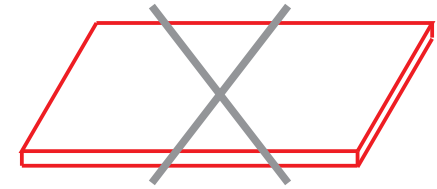
## Points for Attention: Installation or Handling



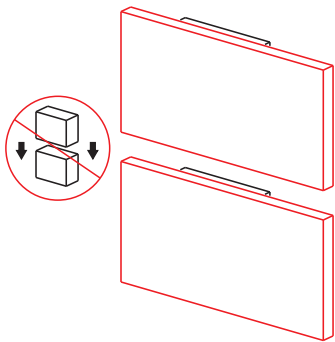
Please use the handle during installation or handling. Please don't touch LCD or other parts, which is a direct reason for device damages, faults or personal injuries.



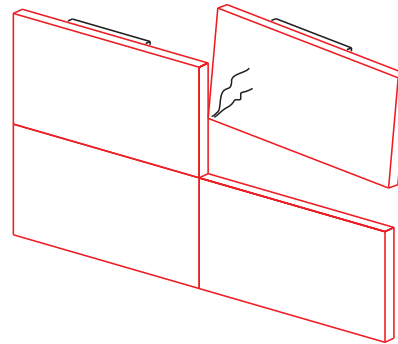
Don't make the corner touchdown



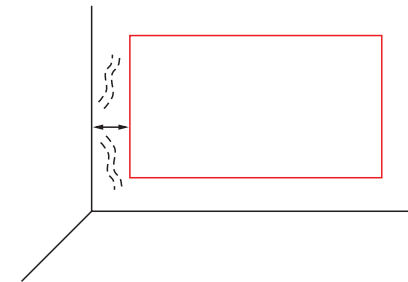
Do not set down the product on its front. The screen may become damaged.



Note: please don't press the screen on its frames, in order not to damage the device.



Don't touch the corner when installation



Install the product at least 10 cm away from the wall to allow ventilation. An increased internal temperature may cause a fire.

Please turn over

## Note (during Installation)

---

- Please pay attention to the following points during installation, to guarantee its long-term excellent performance:
- After opening the case, please power on and inspect the device as soon as possible. In case of broken screen or other problems, please contact your local retailer or our service engineer.
- During installation or handling, please use the handle or hook behind the device; don't touch the screen.
- The device shall be installed on a load-bearing object able to bear a weight that is 4 times as many as the weight of the device. If the device is installed onto the wall directly, please select a wall (cement wall or support pillar) able to bear a weight that is at least 4 times as many as the weight of the device and auxiliary parts.
- During installation, please avoid stressing the end faces of the screen. Especially during split installation of several devices, please avoid squeezing or bearing among them.
- Working ambient temperature shall conform to product specifications and parameters. Excessive ambient temperature may lead to device faults. For the purpose of thermal dissipation, please guarantee an effective interval around the device.
- If the device is installed in a box or other places where thermal dissipation space fails to be guaranteed, or room temperature exceeds product working temperature scope, please install a cooling fan or air-conditioner, so as to ensure working ambient temperature is within a safety scope. Air outlet of the air-conditioner shall not be aligned with the device; temperature difference before and behind the device shall not exceed 3°C .
- This device is specially designed for indoor purpose. Please keep it away from wind, rain or direct sunshine; otherwise, it may lead to device faults or aging.
- If it is necessary to install it beside a window and expose it to direct sunshine, please take protective measures to keep LCD from sunshine, and meanwhile, take temperature protection measures.
- If the device is installed on a bracket, adopt proper measures to prevent it from falling down.